

- 1) Hook for belt cod. A3000380080
- 2) 4 pin male connector with closing cap cod. A1000380180
- 3) Battery fixing plate with screws cod. A2000380420
- 4) Battery 7.2V NiCd cod. A2000380100
- 5) Bottom black part cod. A3000380301

- 1) Plastic cover cod. A3000380401
- 2) Central blue part :
  - for TX with linear joysticks cod. A3000380102
  - for TX with cross joysticks cod. A3000380103
- 3) Upper black protection frame :
  - for TX with linear joysticks cod. A3000380101
  - for TX with cross joysticks cod. A3000380104

- 4) Switch with rubber protection :
  - detent switch 2 positions cod. A1000380230
  - detent switch 3 positions cod. A1000380130
  - spring return switch 3 positions cod. A1000380150
  - rubber protection only cod. A1000380151

- 5) Left switch plate :
  - plastic only cod. A2000380220
  - standard version with 4 microswitches cod. A2000380221

- 6) Emergency stop button with contact cod. A1000380170

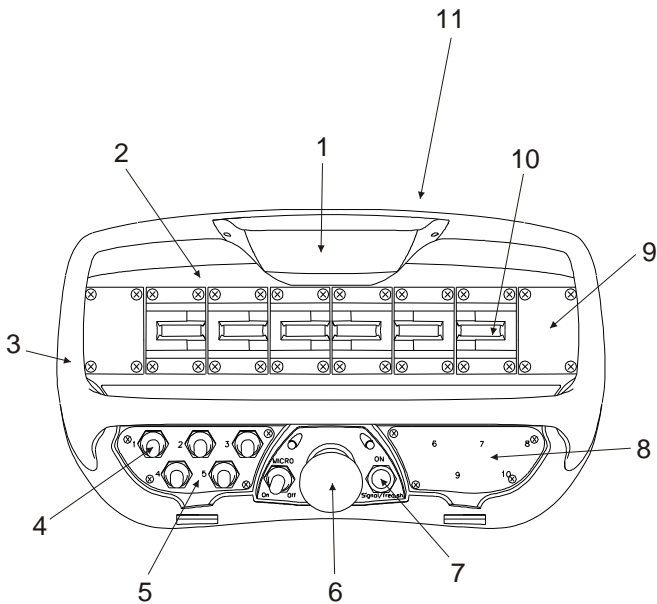
- 7) Push button with rubber protection cod. A1000380140
  - rubber protection only cod. A1000380152

- 8) Right switch plate (plastic only) cod. A2000380210

- 9) Closing cap :
  - for linear joystick cod. A3000380100
  - for cross joystick cod. A3000380105

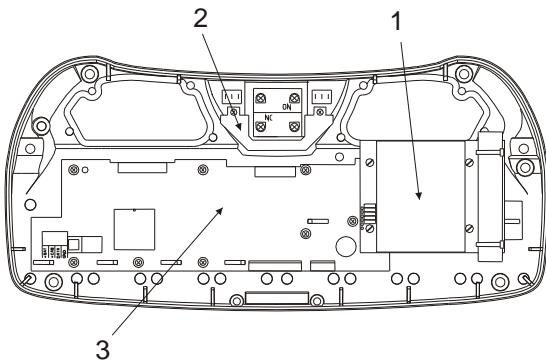
- 10) Joystick :
  - linear with spring return cod. A1000380100
  - linear frictioned cod. A1000380101
  - 2 axis cross cod. A1000380400
  - 3 axis cross cod. A1000380402

- 11) Complete control box : please contact our sales department (serial numbers of old parts are required)

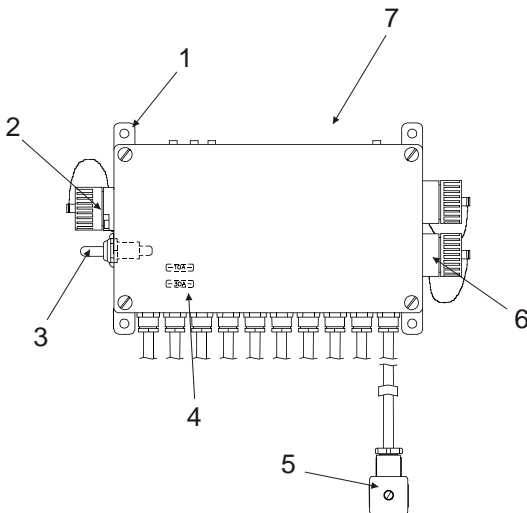




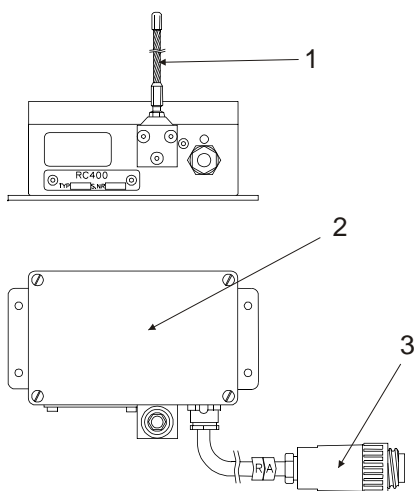

<b>FABER - COM</b> s.r.l.		CODICE:
DESCRIZIONE: Spare parts list for Scanreco Rc400 radio remote control		
NOME FILE: "Rc400 spare parts list.cdr"		
DATA: 16-12-2005	FOGLIO 1	DI 3



- 1) Radio trasmitter electronic card (type 380) cod. A1170360000
- 2) Leds card cod. A1000380171
- 3) Main electronic card :
  - unidirectional for linear joystick cod. F2000382100
  - unidirectional for cross joystick cod. F2000382000

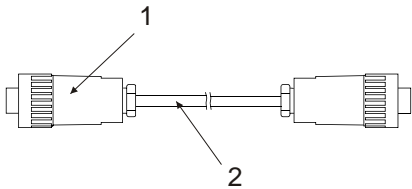


- 1) Mounting bracket cod. F3001510010
- 2) 4 pin male connector with closing cap cod. A2001700010
- 3) Switch with rubber protection :
  - detent switch 3 positions cod. A1100380130
- 4) Blade fuse :
  - 10A cod. A2003410040
  - 30A cod. A2003410050
- 5) DIN43650 connector with gasket and screw :
  - 2 pins + ground cod. A2001300020
  - 3 pins + ground cod. A2001300030
- 6) 7 pin female connector with closing cap cod. A2001700050
- 7) Complete electronic box : please contact our sales department (serial numbers of old parts are required)

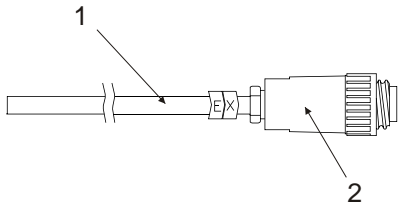


- 1) Antenna cod. A2000380130
- 2) Receiver with cable and antenna (type 344) cod. F1000381010
- 3) 7 pins male connector cod. A2001700060

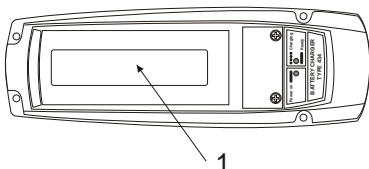
<b>FABER - COM</b> s.r.l.		CODICE:	
DESCRIZIONE: Spare parts list for Scanreco Rc400 radio remote control			
NOME FILE: "Rc400 spare parts list.cdr"			
DATA: 16-12-2005	FOGLIO 2	DI	3



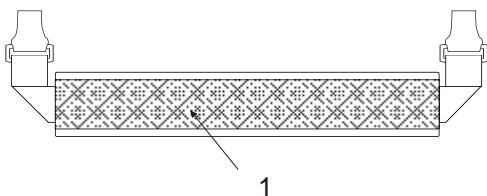
- 1) 4 pins female connector cod. A2001700010
- 2) Serial cable with connectors :
  - 15 metres lenght cod. A2000380110
  - 30 metres lenght cod. A2000380112



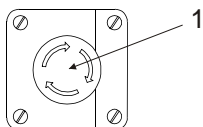
- 1) EX cable with connector (2,5 metres lenght) cod. A2000380120
- 2) 7 pins male connector cod. A2001700060



- 1) Quick battery charger :
  - 110Vac 50Hz cod. F1700360005
  - 220 Vac 50Hz cod. F1700360003
  - 12/24 Vdc cod. F1700360002



- 1) Belt :
  - for neck use (small) cod. A3000380110
  - for waist use (large) cod. A3000380410



- 1) Emergency stop button with container box cod. A1000380171

<b>FABER - COM</b> s.r.l.		CODICE:	
DESCRIZIONE: Spare parts list for Scanreco Rc400 radio remote control			
NOME FILE: "Rc400 spare parts list.cdr"			
DATA: 16-12-2005	FOGLIO 3	DI	3